



Air Motion Transformer Tweeter AMT817-01

FEATURES

- Robust metal faceplate provides secure, stable mounting
- Low- mass pleated Kapton diaphragm
- Very fast transition, high power handling
- High detailed and dynamic output, very low distortion
- Rich mid-range
- Open back design with Strong Neodymium

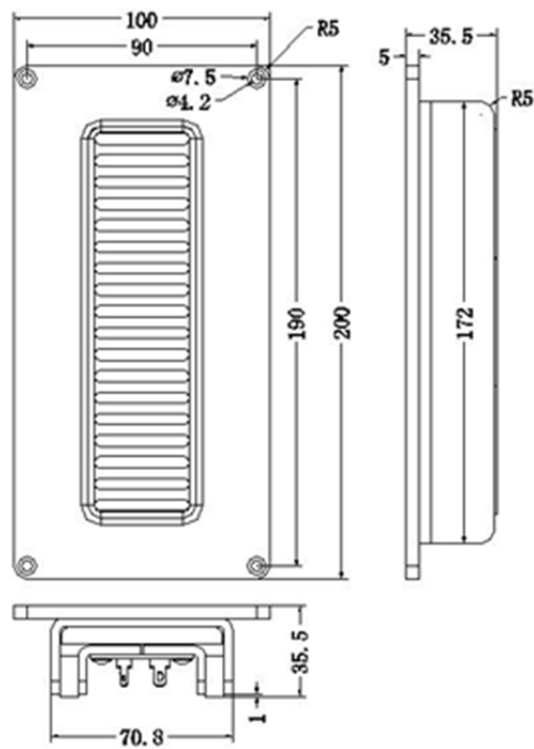
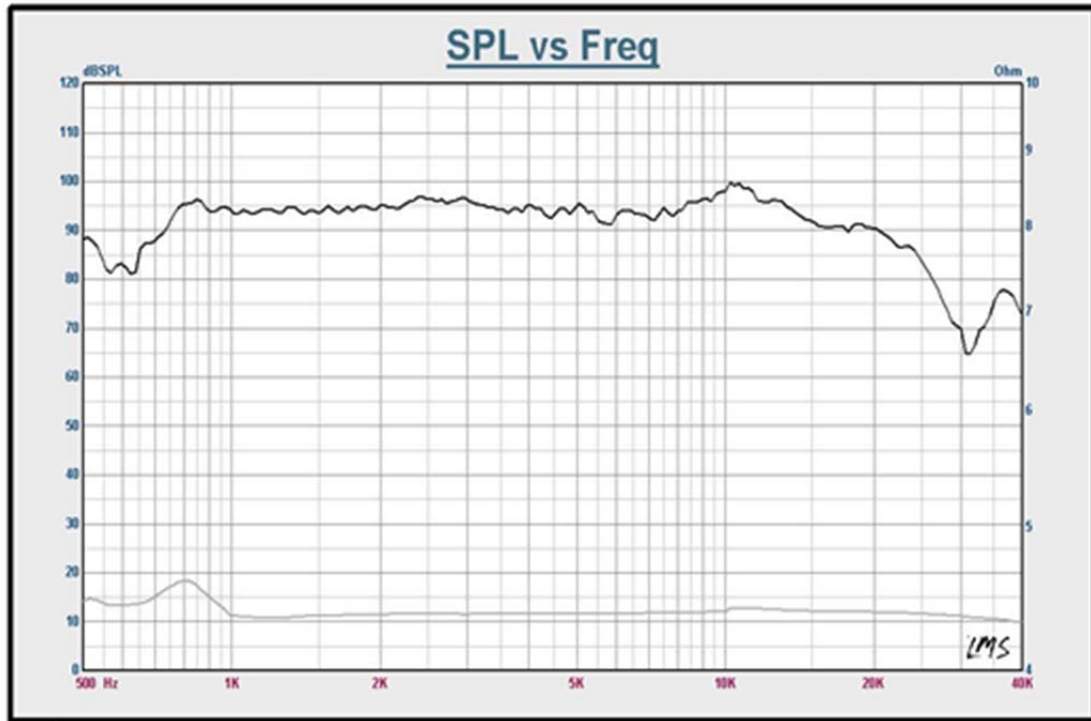
PARAMETER

Impedance	4ohms
Power Handling	50watts(RMS),100watts(max)
Sensitivity	94dB@1W/1m
Frequency Response	800 - 18,000Hz
Diaphragm	Kapton&Alumium foil
Magnet System	Neodymium
Dimensions	Overall: 7.87" H x 3.94" W, Cutout: 6.77" H x 2.83" W, Depth: 1.42"
Net. Weight	1170gram
Recommend Crossover Frequency	1,000Hz

www.audiopur.com

Email: jsd@audiopur.com

TEL:+86-752-3130123 FAX: +86-752-3130656



Note: all dimension in mm

www.audiopur.com

Email: jsd@audiopur.com

TEL: +86-752-3130123 FAX: +86-752-3130656